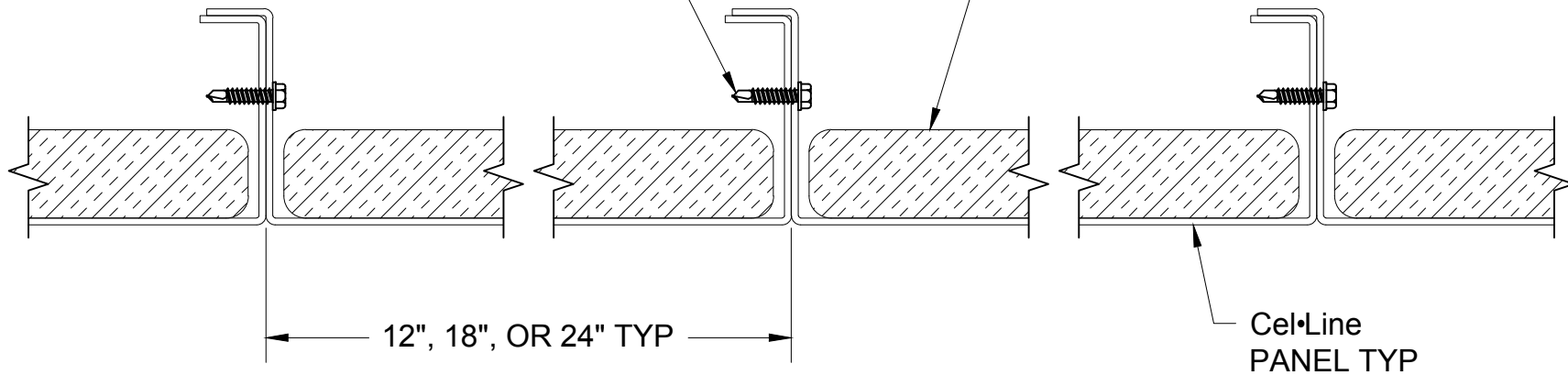


#12 X 3/4" SELF-DRILLING  
STITCHING SCREW (BY OTHERS);  
3" MAX FROM END OF  
PANEL AND 12" OC MAX

CLASS A  
POLYETHYLENE WRAPPED  
ACOUSTICAL INSULATION TYP  
(WHERE REQUIRED)



Cel-Line  
PANEL TYP

**GORDON**<sup>®</sup>  
ARCHITECTURAL+ENGINEERED SOLUTIONS

5023 Hazel Jones Rd.  
Bossier City, LA 71111  
800.747.8954  
GORDON-INC.COM  
sales@gordon-inc.com

TITLE

EXPOSED FASTENER Cel-Line<sup>®</sup>  
TYP PANEL SECTION