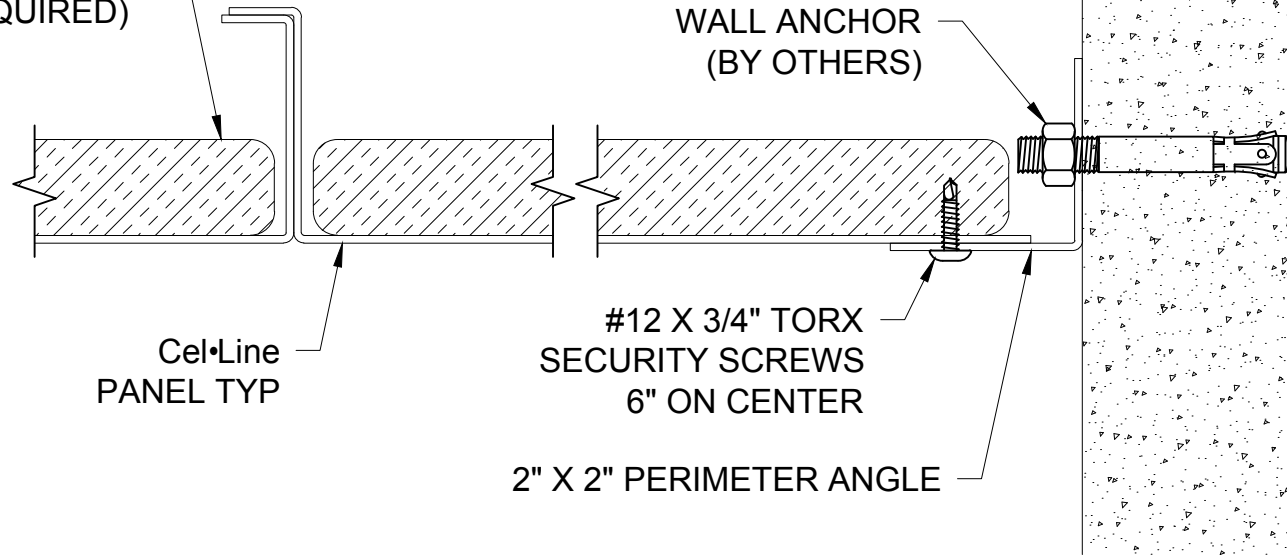


CLASS A
POLYETHYLENE WRAPPED
ACOUSTICAL INSULATION TYP
(WHERE REQUIRED)



Cel-Line
PANEL TYP

#12 X 3/4" TORX
SECURITY SCREWS
6" ON CENTER

2" X 2" PERIMETER ANGLE

CMU WALL

WALL ANCHOR
(BY OTHERS)

TORX® TAMPER RESISTANT SECURITY SCREWS IS A REGISTERED TRADEMARK OF CAMCAR

GORDON®
ARCHITECTURAL+ENGINEERED SOLUTIONS

5023 Hazel Jones Rd.
Bossier City, LA 71111
800.747.8954
GORDON-INC.COM
sales@gordon-inc.com

TITLE

EXPOSED FASTENER Cel-Line®
DETAIL AT LAST PANEL