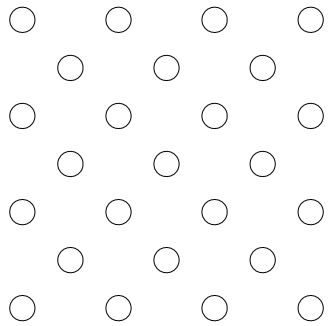


(OPTIONAL) BACKER PANEL
FOR STC (SOUND TRANSMISSION CLASS)
OF 40-44.

CLASS A POLYETHYLENE WRAPPED
ACOUSTICAL INSULATION WITH A
NRC (NOISE REDUCTION COEFFICIENT)
OF 0.80-1.00

Cel-Line
PERFORATED PANEL

(OPTIONAL) SPACER GRID



R18-1132DG11 PANEL PERFORATION DETAIL

Ø0.1250" HOLES ON 0.336" 45° DIAGONAL CENTERS

11% OPEN AREA

SCALE: 1:1

GORDON[®]
ARCHITECTURAL+ENGINEERED SOLUTIONS

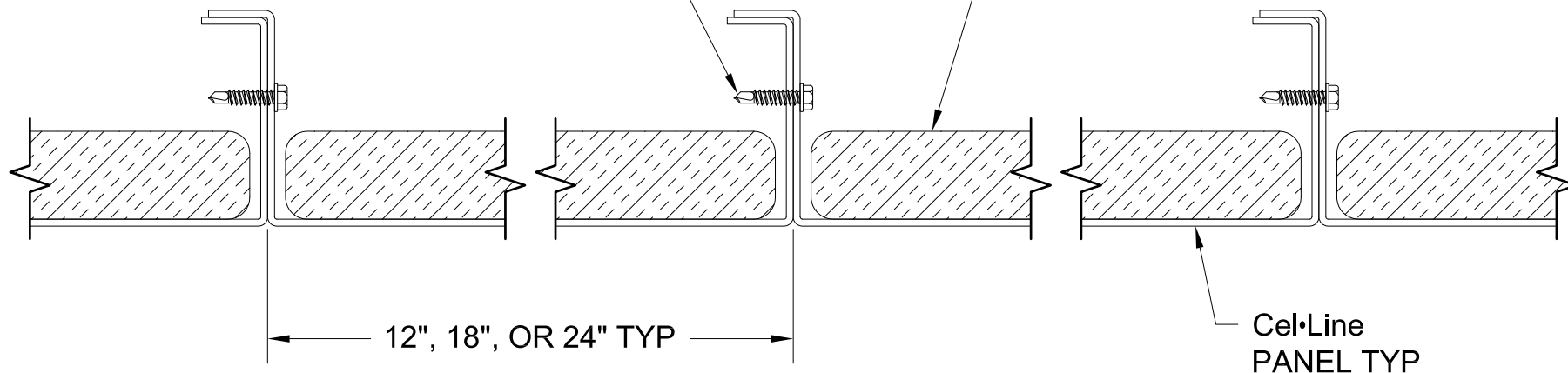
5023 Hazel Jones Rd.
Bossier City, LA 71111
800.747.8954
GORDON-INC.COM
sales@gordon-inc.com

TITLE

CONCEALED FASTENER Cel-Line[®]
ISOMETRIC PANEL DETAIL

#12 X 3/4" SELF-DRILLING
STITCHING SCREW (BY OTHERS);
3" MAX FROM END OF
PANEL AND 12" OC MAX

CLASS A
POLYETHYLENE WRAPPED
ACOUSTICAL INSULATION TYP
(WHERE REQUIRED)

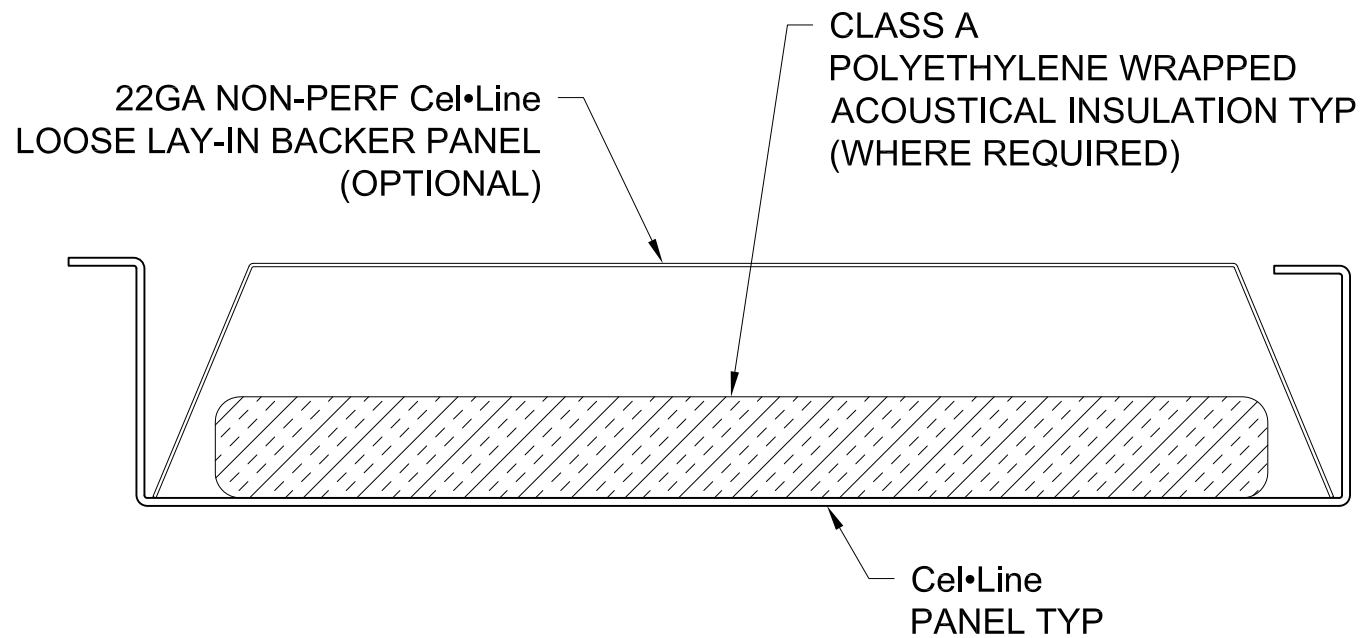


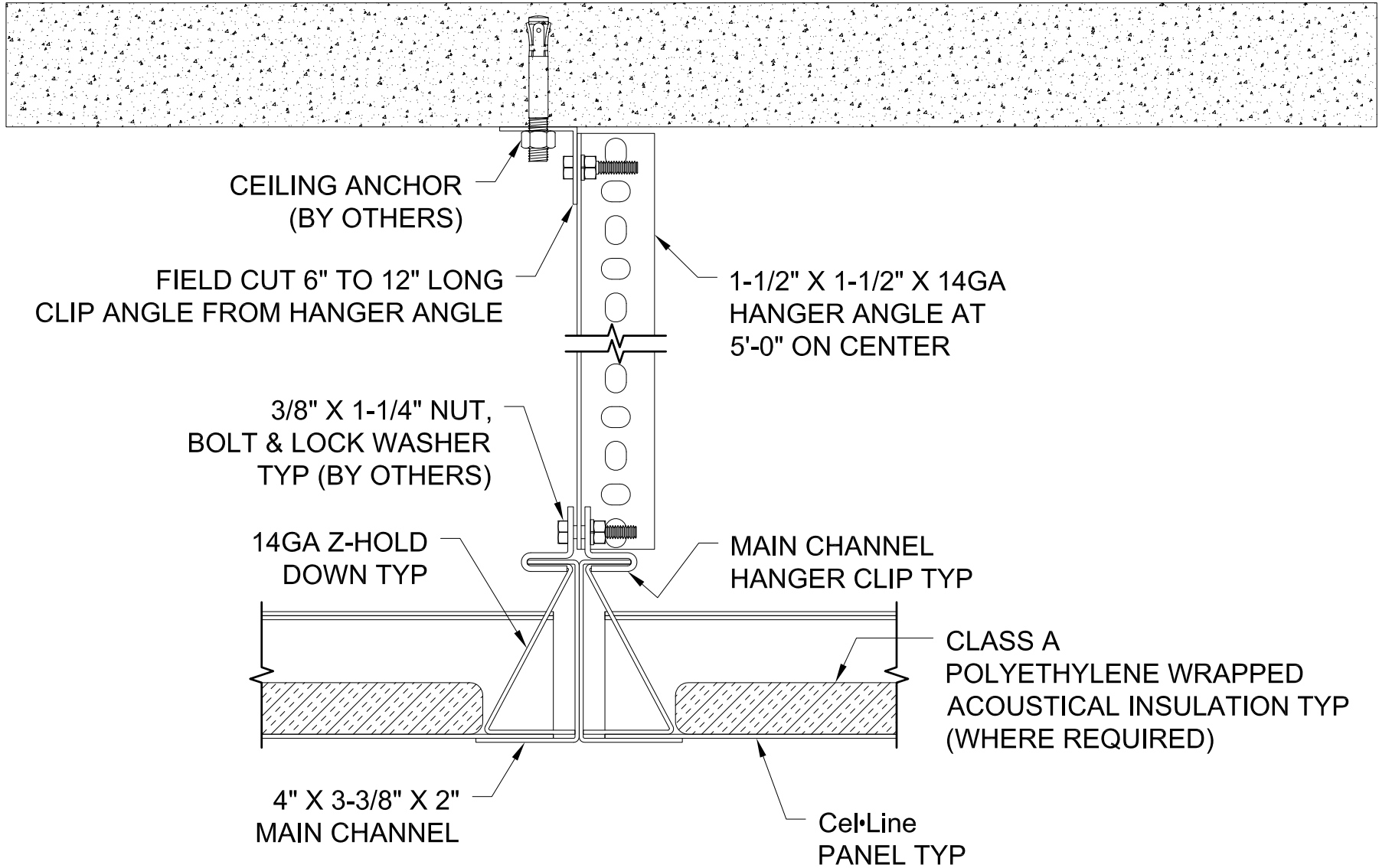
GORDON[®]
ARCHITECTURAL+ENGINEERED SOLUTIONS

5023 Hazel Jones Rd.
Bossier City, LA 71111
800.747.8954
GORDON-INC.COM
sales@gordon-inc.com

TITLE

CONCEALED FASTENER Cel·Line[®]
TYP PANEL SECTION



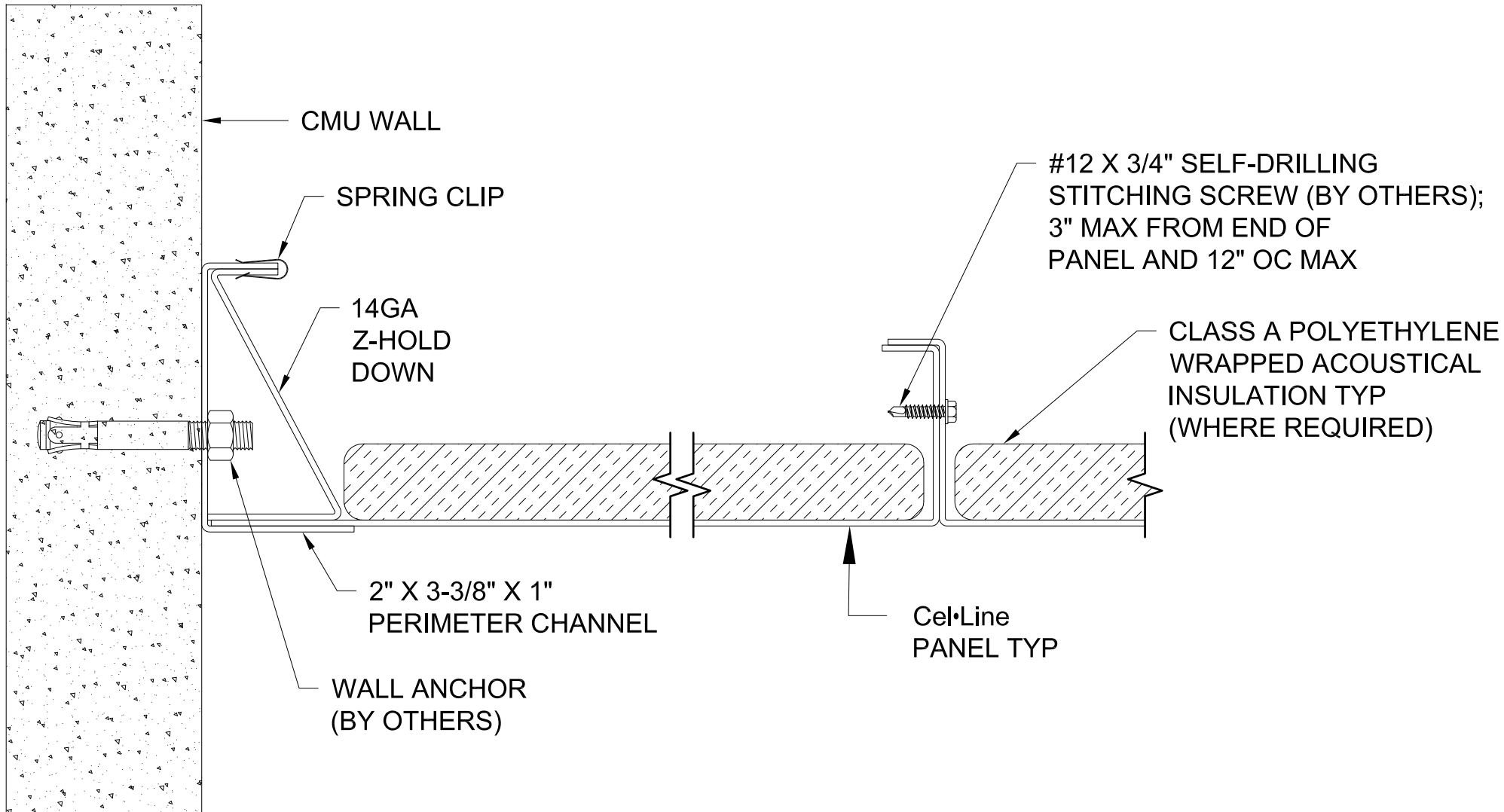


GORDON[®]
ARCHITECTURAL+ENGINEERED SOLUTIONS

5023 Hazel Jones Rd.
Bossier City, LA 71111
800.747.8954
GORDON-INC.COM
sales@gordon-inc.com

TITLE

CONCEALED FASTENER Cel•Line[®]
DETAIL AT MAIN TEE

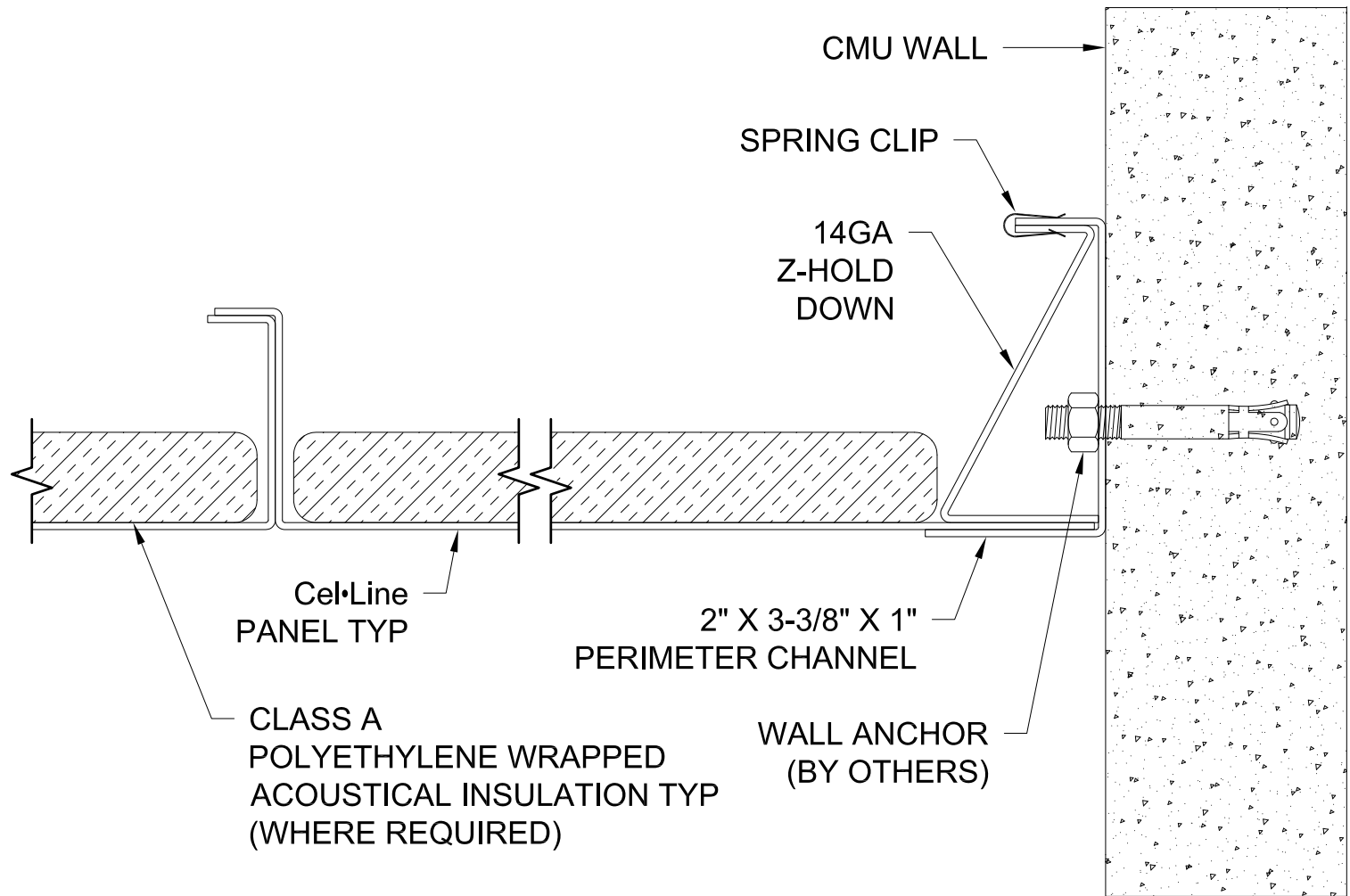


GORDON[®]
ARCHITECTURAL+ENGINEERED SOLUTIONS

5023 Hazel Jones Rd.
Bossier City, LA 71111
800.747.8954
GORDON-INC.COM
sales@gordon-inc.com

TITLE

CONCEALED FASTENER Cel•Line[®]
DETAIL AT START PANEL



CLASS A
POLYETHYLENE WRAPPED
ACOUSTICAL INSULATION TYP
(WHERE REQUIRED)

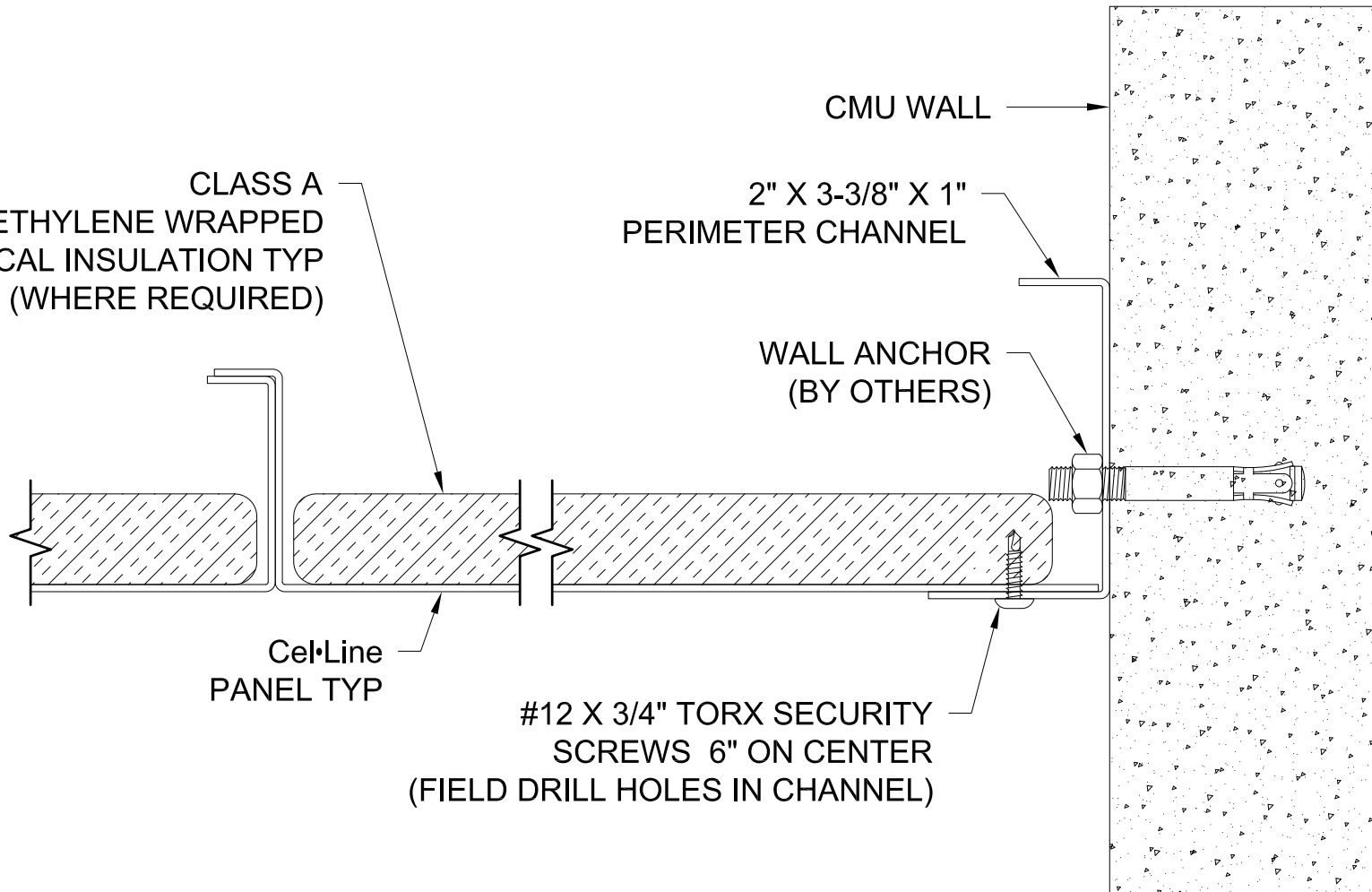
2" X 3-3/8" X 1"
PERIMETER CHANNEL

WALL ANCHOR
(BY OTHERS)

Cel•Line
PANEL TYP

#12 X 3/4" TORX SECURITY
SCREWS 6" ON CENTER
(FIELD DRILL HOLES IN CHANNEL)

CMU WALL



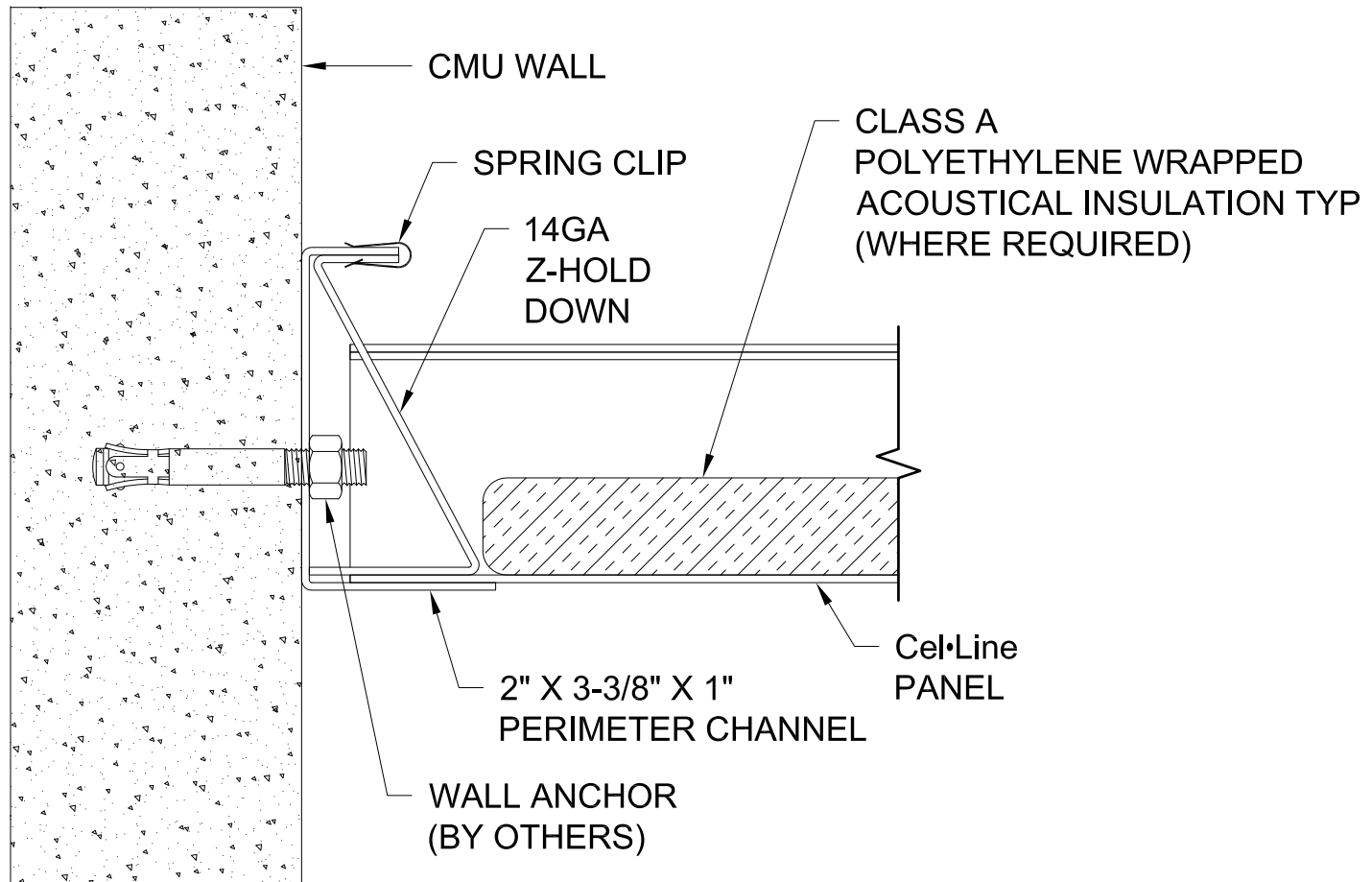
TORX® TAMPER RESISTANT SECURITY SCREWS IS A REGISTERED TRADEMARK OF CAMCAR

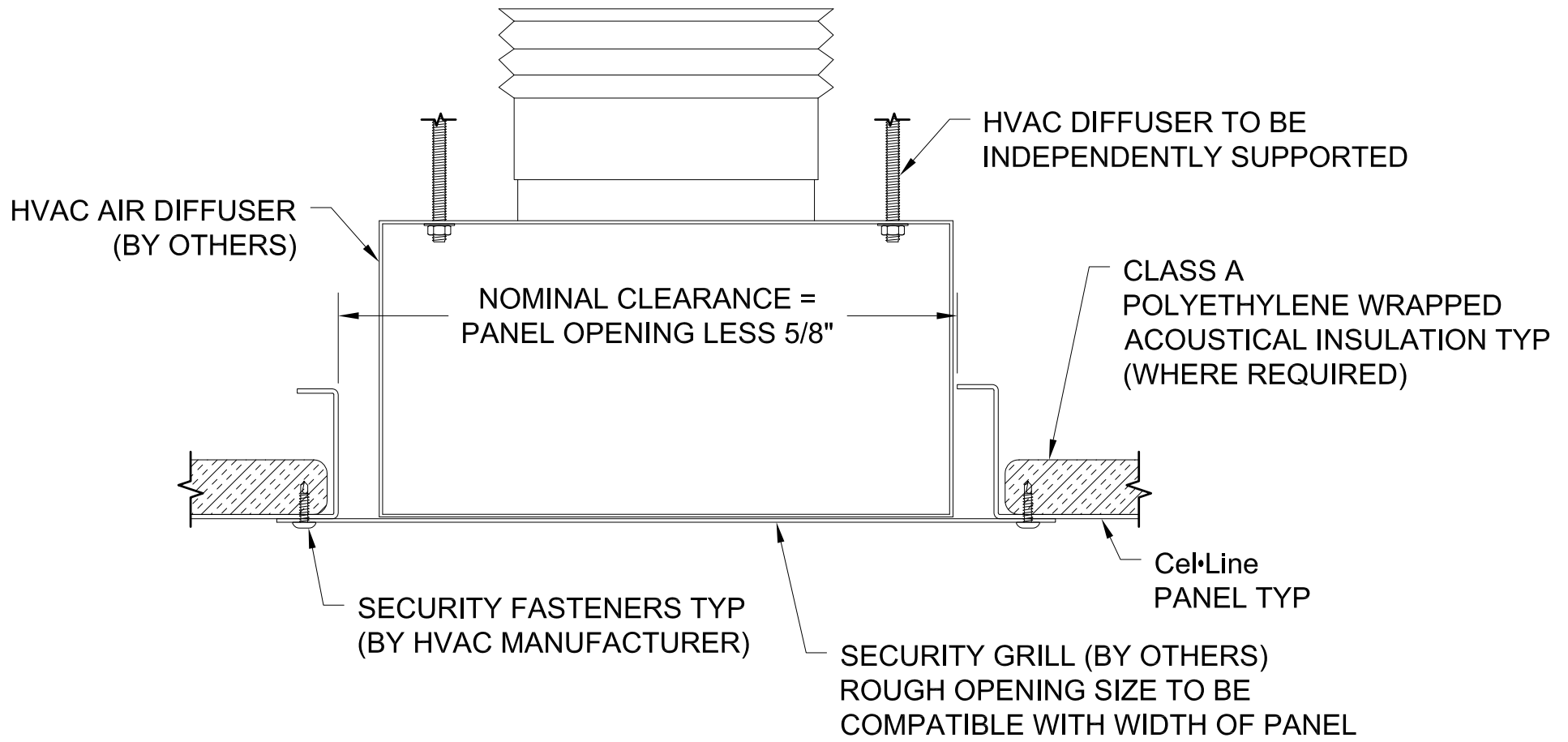
GORDON®
ARCHITECTURAL+ENGINEERED SOLUTIONS

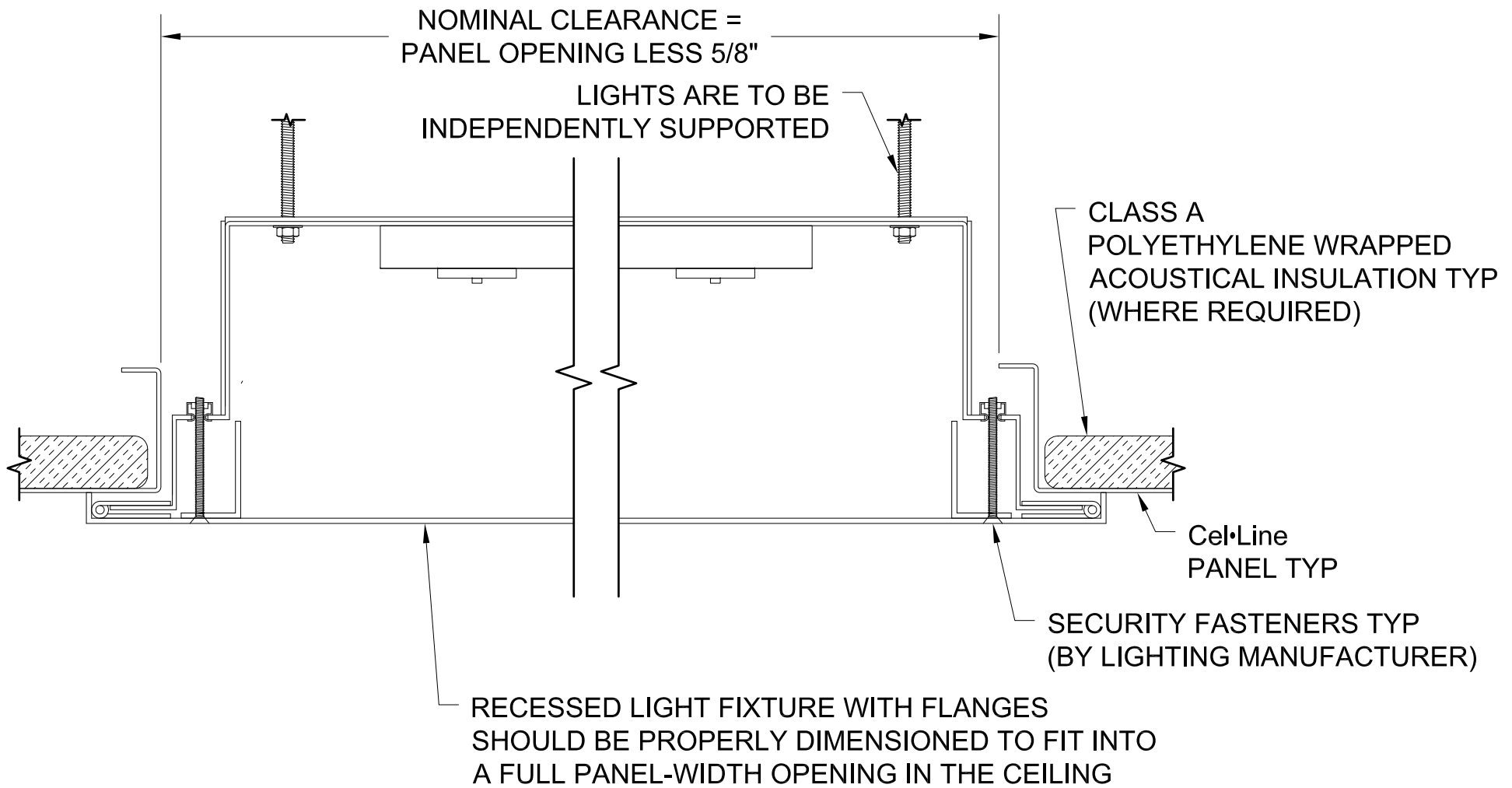
5023 Hazel Jones Rd.
Bossier City, LA 71111
800.747.8954
GORDON-INC.COM
sales@gordon-inc.com

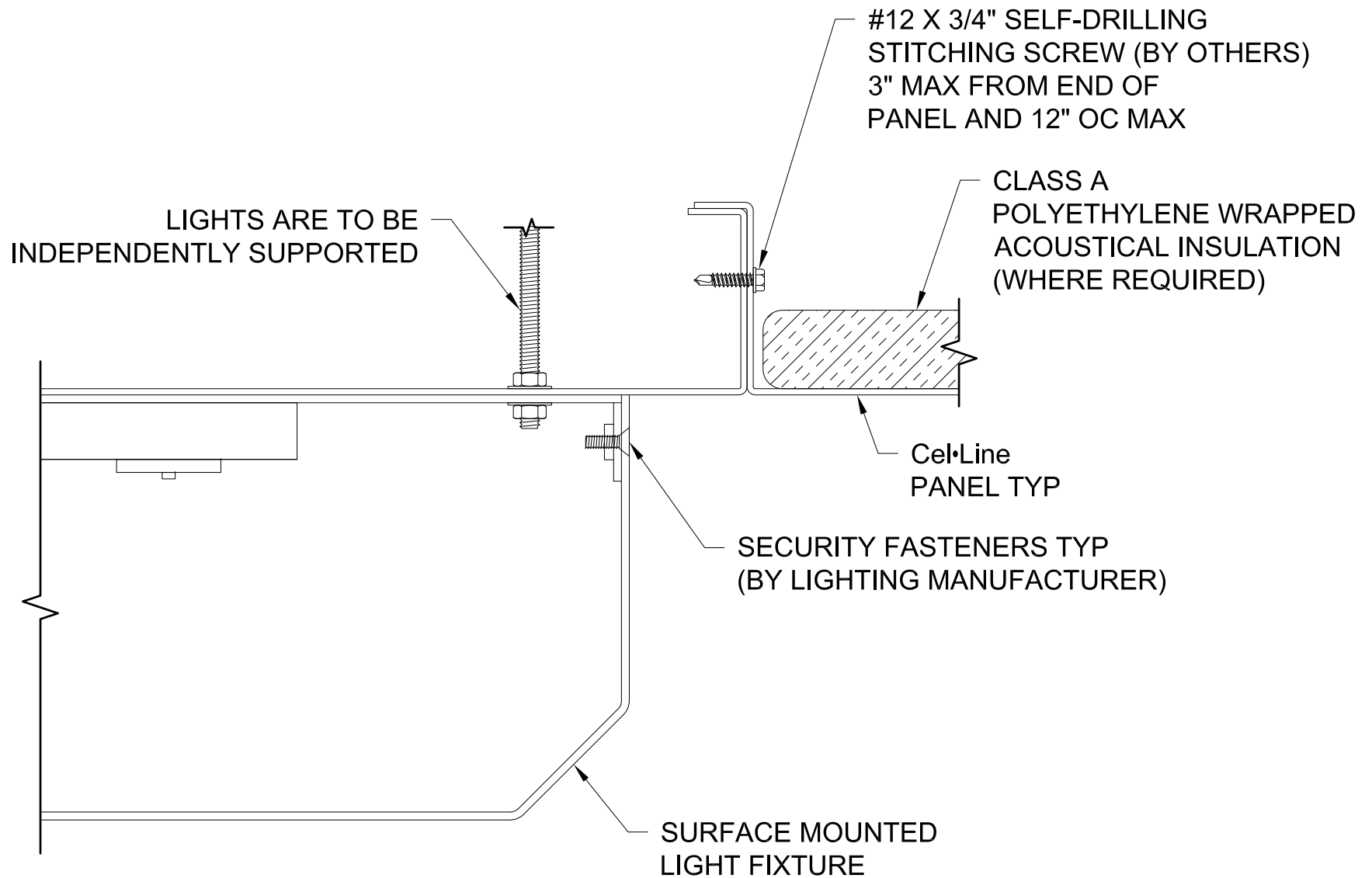
TITLE

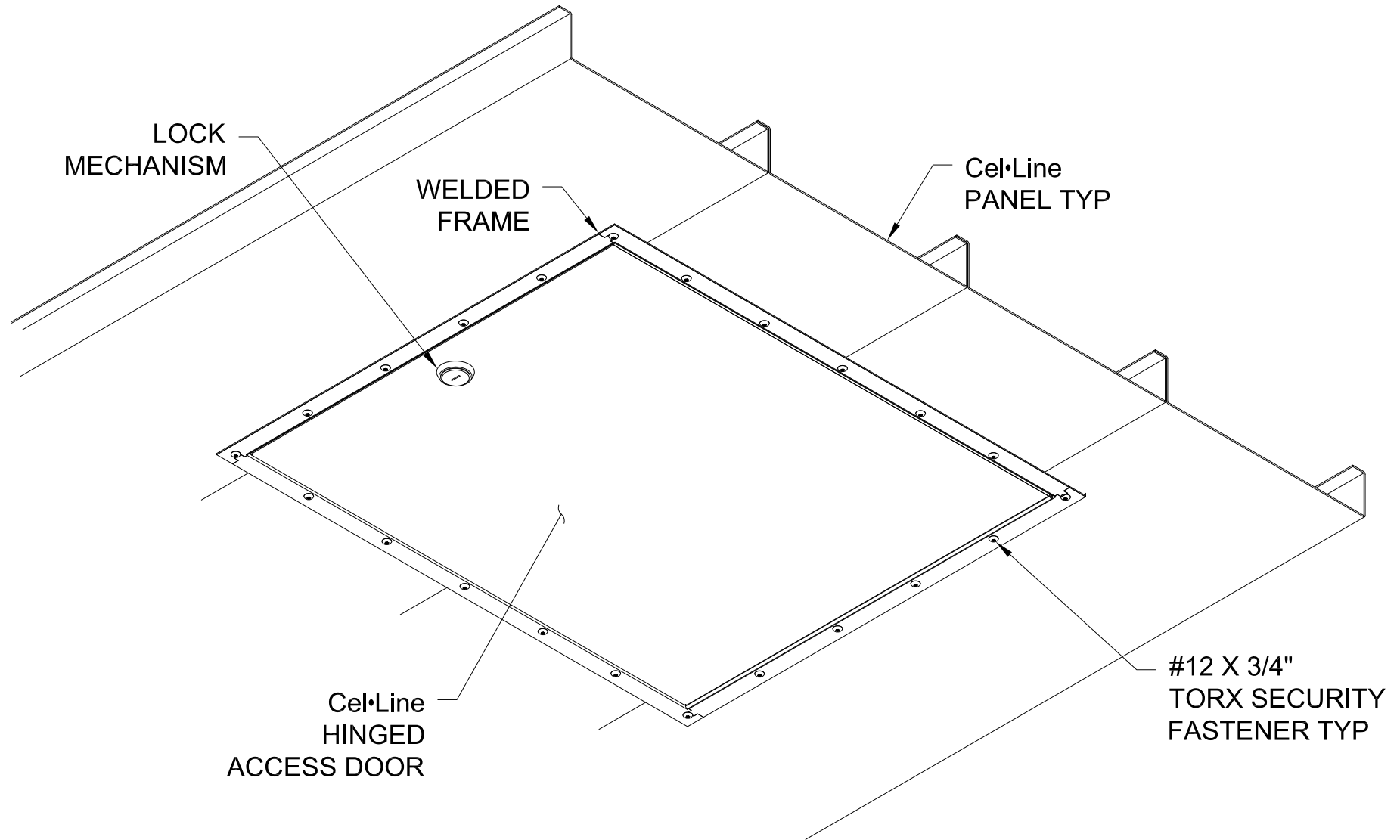
CONCEALED FASTENER Cel•Line®
ALTERNATE DETAIL AT LAST PANEL
(WHERE INACCESSIBLE FOR HOLD DOWN PLACEMENT)











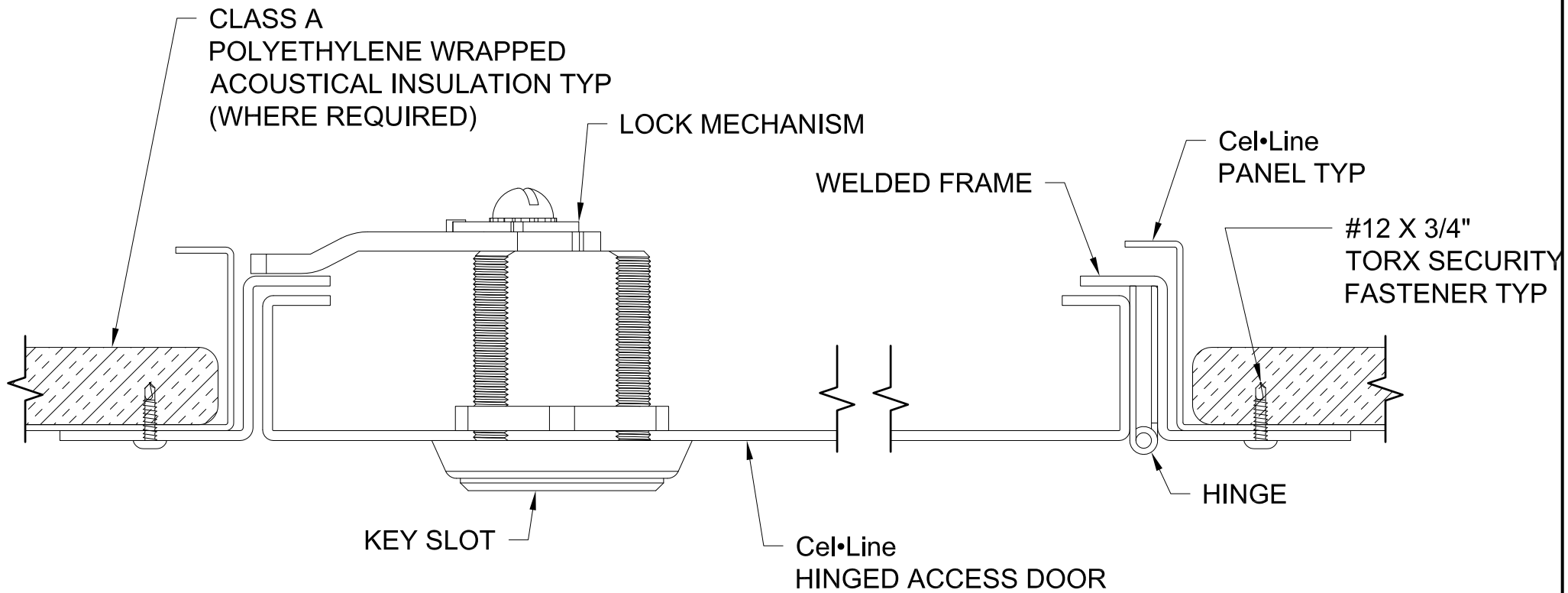
TORX® TAMPER RESISTANT SECURITY SCREWS IS A REGISTERED TRADEMARK OF CAMCAR

GORDON®
ARCHITECTURAL+ENGINEERED SOLUTIONS

5023 Hazel Jones Rd.
Bossier City, LA 71111
800.747.8954
GORDON-INC.COM
sales@gordon-inc.com

TITLE

CONCEALED FASTENER Cel-Line®
ISOMETRIC DETAIL AT ACCESS DOOR
(FACE VIEW FROM BELOW)



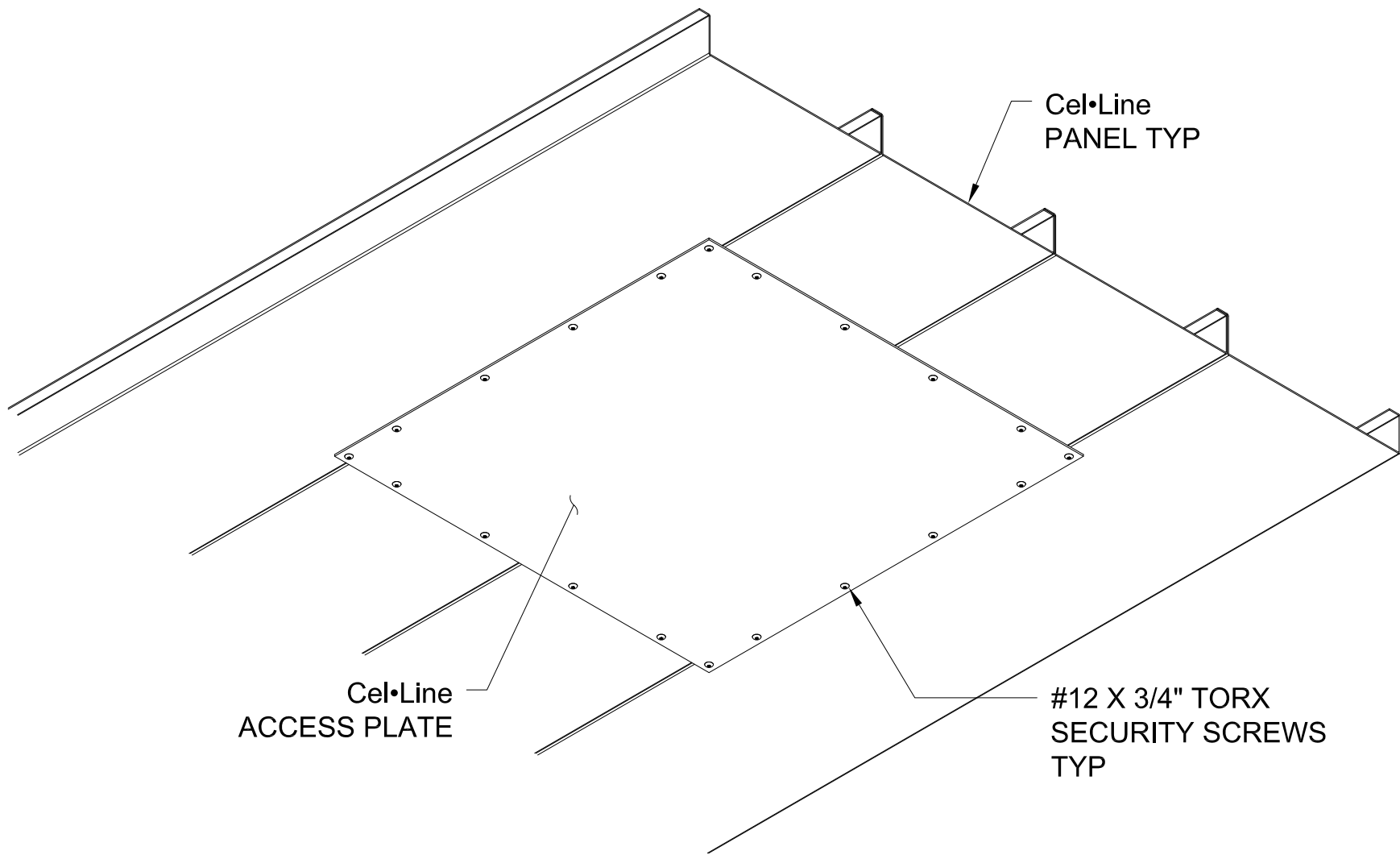
TORX® TAMPER RESISTANT SECURITY SCREWS IS A REGISTERED TRADEMARK OF CAMCAR

GORDON®
ARCHITECTURAL+ENGINEERED SOLUTIONS

5023 Hazel Jones Rd.
Bossier City, LA 71111
800.747.8954
GORDON-INC.COM
sales@gordon-inc.com

TITLE

CONCEALED FASTENER Cel-Line®
SECTION AT ACCESS DOOR



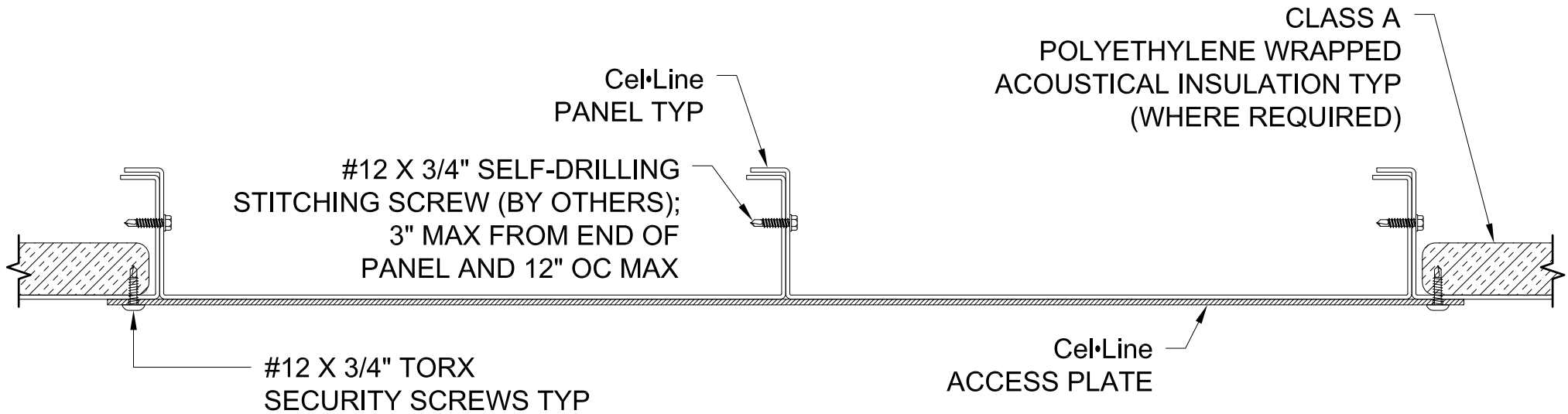
TORX® TAMPER RESISTANT SECURITY SCREWS IS A REGISTERED TRADEMARK OF CAMCAR

GORDON®
ARCHITECTURAL+ENGINEERED SOLUTIONS

5023 Hazel Jones Rd.
Bossier City, LA 71111
800.747.8954
GORDON-INC.COM
sales@gordon-inc.com

TITLE

CONCEALED FASTENER Cel-Line®
ISOMETRIC DETAIL AT ACCESS PLATE
(FACE VIEW FROM BELOW)



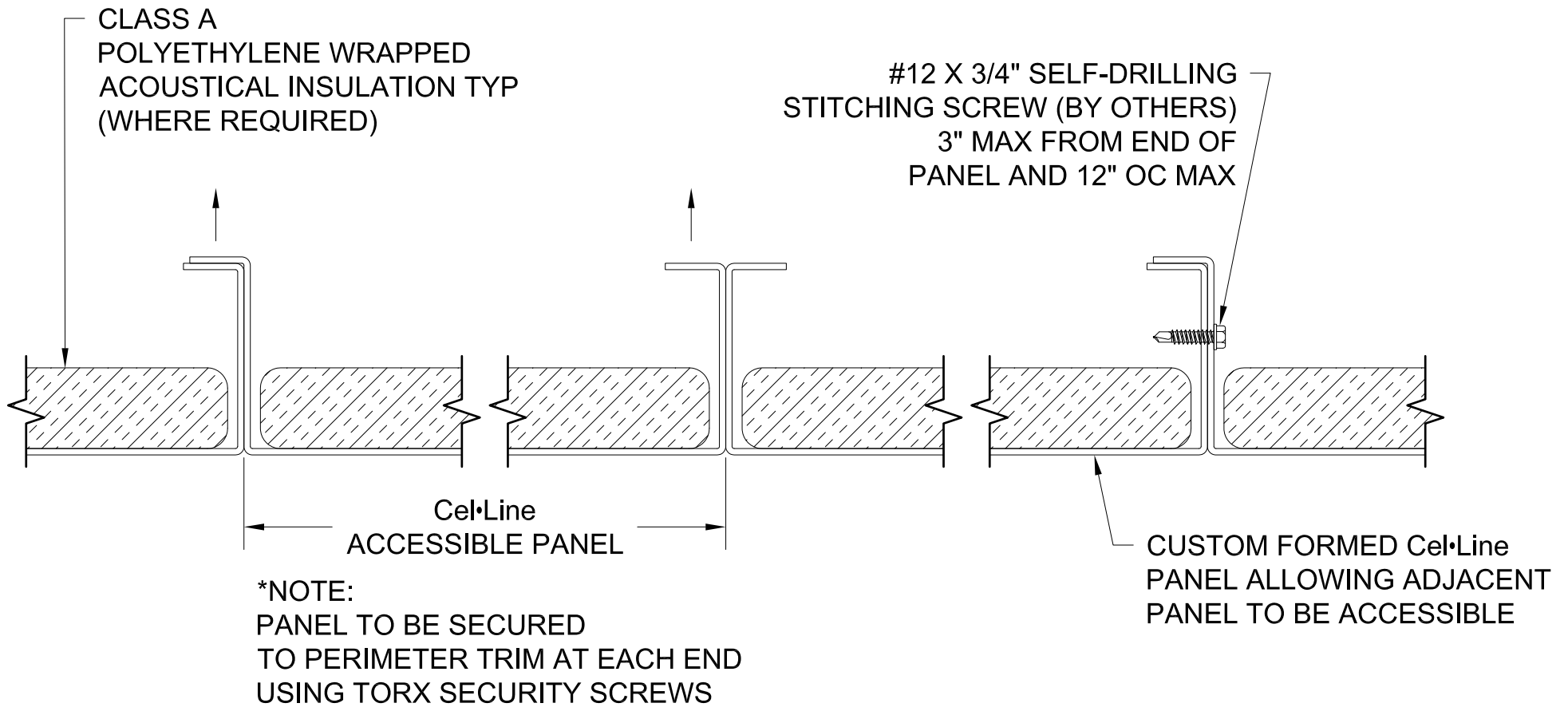
TORX® TAMPER RESISTANT SECURITY SCREWS IS A REGISTERED TRADEMARK OF CAMCAR

GORDON[®]
ARCHITECTURAL+ENGINEERED SOLUTIONS

5023 Hazel Jones Rd.
Bossier City, LA 71111
800.747.8954
GORDON-INC.COM
sales@gordon-inc.com

TITLE

CONCEALED FASTENER Cel·Line[®]
SECTION AT ACCESS PLATE



TORX® TAMPER RESISTANT SECURITY SCREWS IS A REGISTERED TRADEMARK OF CAMCAR

GORDON®
ARCHITECTURAL+ENGINEERED SOLUTIONS

5023 Hazel Jones Rd.
Bossier City, LA 71111
800.747.8954
GORDON-INC.COM
sales@gordon-inc.com

TITLE

CONCEALED FASTENER Cel·Line®
SECTION AT ACCESS PANEL