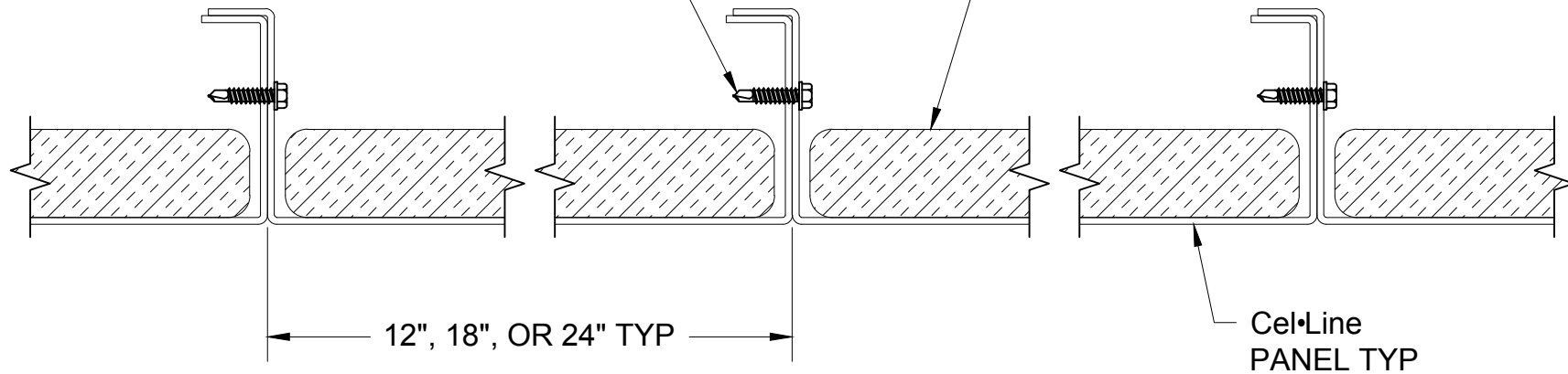


#12 X 3/4" SELF-DRILLING
STITCHING SCREW (BY OTHERS);
3" MAX FROM END OF
PANEL AND 12" OC MAX

CLASS A
POLYETHYLENE WRAPPED
ACOUSTICAL INSULATION TYP
(WHERE REQUIRED)



GORDON[®]
ARCHITECTURAL+ENGINEERED SOLUTIONS

5023 Hazel Jones Rd.
Bossier City, LA 71111
800.747.8954
GORDON-INC.COM
sales@gordon-inc.com

TITLE

CONCEALED FASTENER Cel•Line[®]
TYP PANEL SECTION