

GENERAL SPECIFICATIONS

1. PRE-FILTER FRAME: TOP HOUSING FABRICATED FROM POWDER COATED GALVANIZED STEEL. SIDES AND ENDS ARE EXTRUDED ALUMINUM.
2. MOTOR / BLOWER: 1/4 HP 3 SPEED (HI/MED/LO); PERMANENT SPLIT CAPACITOR / 10" FORWARD CURVE CENTRIFUGAL BLOWER
3. FILTER: HEPA FILTER; 3" HEIGHT WITH ANODIZED ALUMINUM FRAME; GEL CHANNEL FOR HOUSING / FILTER SEAL
4. PRE-FILTER: MERV 4 FIBERGLASS, NOMINAL 20" X 20" X 1"
5. FAN SPEED CONTROL: OFF/3 SPEED SWITCH (LOW/MED/HIGH)
6. LINE CONNECTION: PER NEC CODE
7. FACE SCREEN: POWDER COATED ALUMINUM, 1/8" HOLES ON 3/16" STG CENTERS
8. HANGING PROVISION: 1/4-20 THREADS PROVIDED IN TOP (4) CORNERS FOR SUSPENSION WITH THREADED ROD OR EYE BOLTS WITH CHAIN.
9. EACH MODULE IS FACTORY TESTED AND PROVIDED WITH A QUALITY CHECK FORM.
10. EACH MODULE IS INDIVIDUALLY CARTONED FOR PROTECTION DURING SHIPPING.

OPTIONS

MOTOR VOLTAGE:

- 115/1/60; 3.8 FLA (NAMEPLATE)
- 277/1/60; 1.4 FLA (NAMEPLATE)
- OTHER (CONSULT FACTORY)

HEPA FILTER:

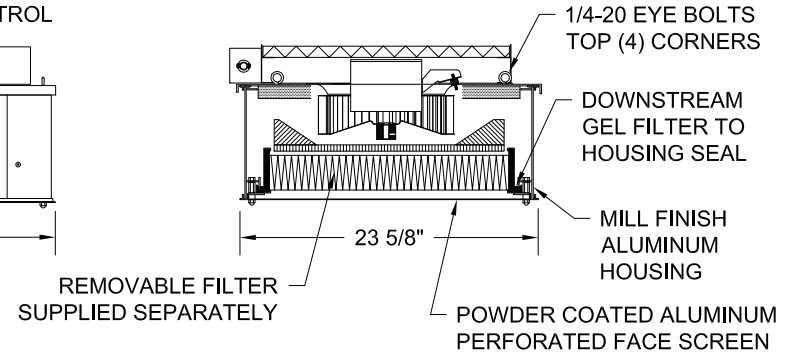
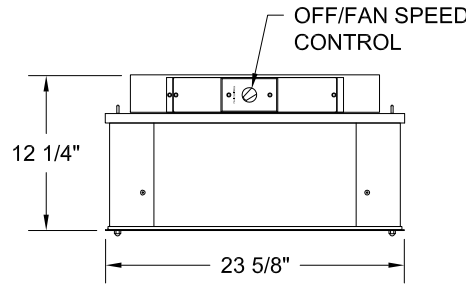
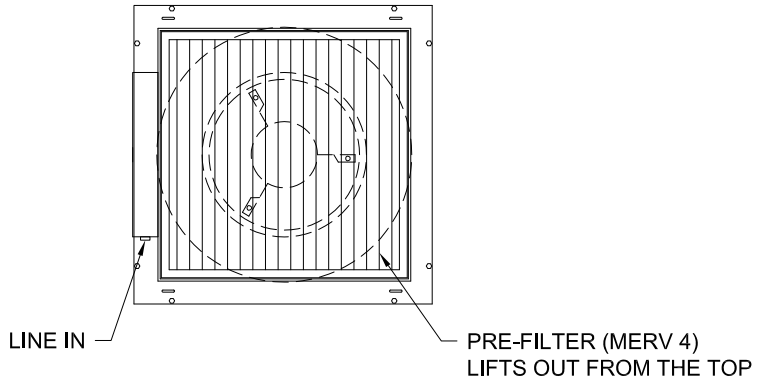
- 99.99% EFF @ .3 MICRONS
- 99.9995% EFF ULPA @ .12 MICRONS

ACCESSORIES:

- A/C DUCT COLLAR

SPECIAL DIMENSIONS:

- 23" X 23" (FOR USE IN ROD-SUSPENDED CLEANROOM CEILINGS 2'0" X 2'0" O.C.)



THE DESIGN AND CONCEPTS REPRESENTED BY THIS PRINT AND ACCOMPANYING DOCUMENTS ARE THE SOLE PROPERTY OF GORDON, INC. AND MAY NOT BE USED, COPIED, OR REPRODUCED WITHOUT PRIOR WRITTEN CONSENT OF SAID OFFICE.



5023 Hazel Jones Rd.
Bossier City, LA 71111
800.747.8954
GORDON4INC.COM
sales@gordon-inc.com

SALES CODE		SHEET TITLE		RUNS:		QUANTITY:	
SALES DIE #		2X2 R2F PHANTOM		SHEET		SALES ORDER	
ARCHITECT				1 of 1		PATH & DRAWING NUMBER	
CUSTOMER		JOB NAME		DRAWING SCALE		R2F-PHANTOM-2X2	
COMP DATE		DRAWN BY		REL DATE		PLOTTED SCALE	
08/07/19		DS		08/09/19		1:1	
APRVD BY		SOFTWARE USED		REVISION			
CE		AutoCAD		-			