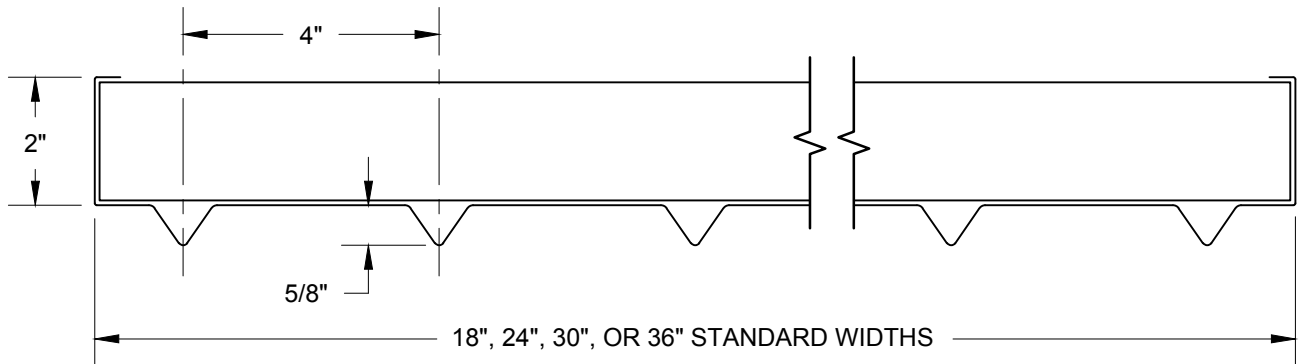


AI-BAF
ALUMINUM / STEEL
 MAXIMUM LENGTH: 120"



AO-BAF
ALUMINUM / STEEL
 MAXIMUM LENGTH: 120"

AVAILABLE THICKNESSES	
ALUMINUM	STEEL
.032"	24 GAUGE
.020"	26 GAUGE

NOTE: ALL DIMENSIONS SHOWN ARE NOMINAL.
 STANDARD FACTORY TOLERANCES:
 LENGTH: $\pm 1/16"$
 WIDTH: $+0" -1/16"$



5023 HAZEL JONES ROAD, BOSSIER CITY, LA 71111
 800.733.3836
 800.877.8746 FAX
 SALES@ALPROACOUSTICS.COM
 ALPROACOUSTICS.COM
 AN EMPLOYEE OWNED COMPANY

PATTERN "A"
BAFFLES