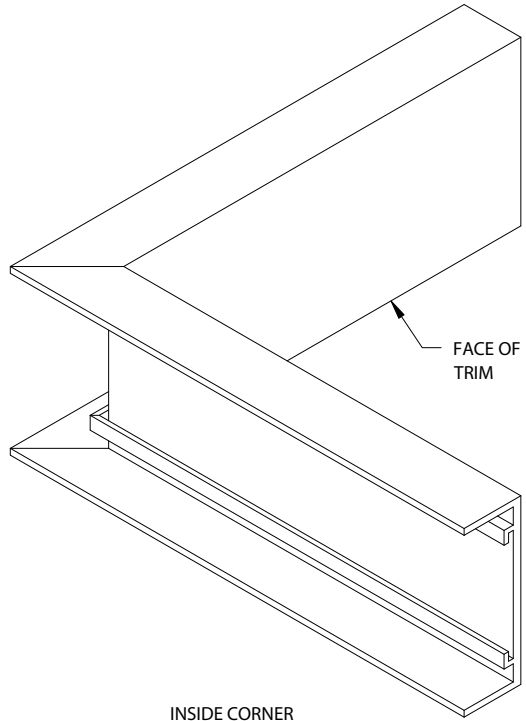


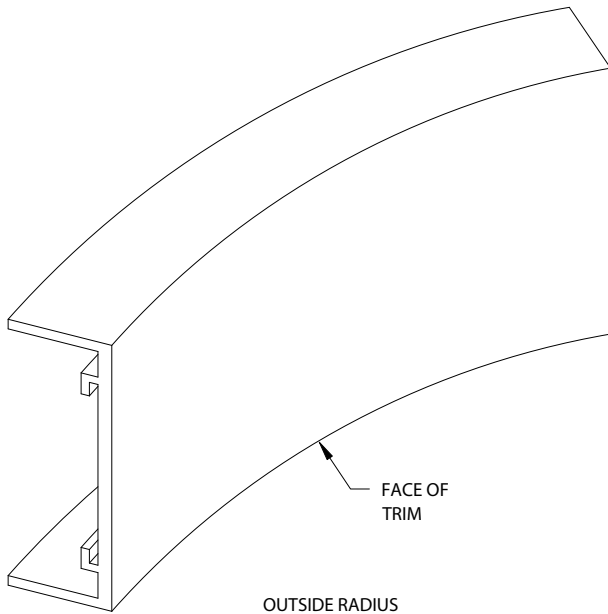
FACE OF TRIM

OUTSIDE CORNER



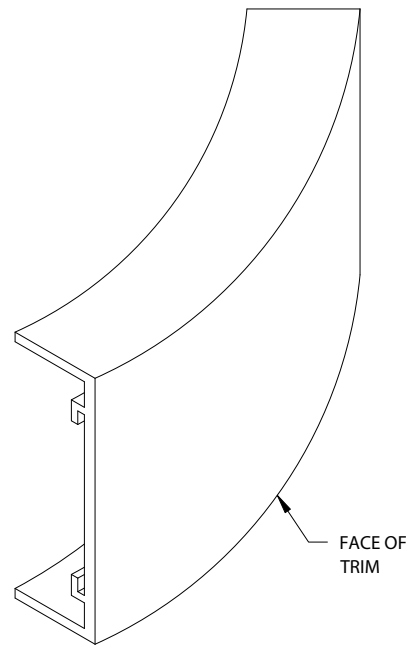
FACE OF TRIM

INSIDE CORNER



FACE OF TRIM

OUTSIDE RADIUS



FACE OF TRIM

INSIDE RADIUS