

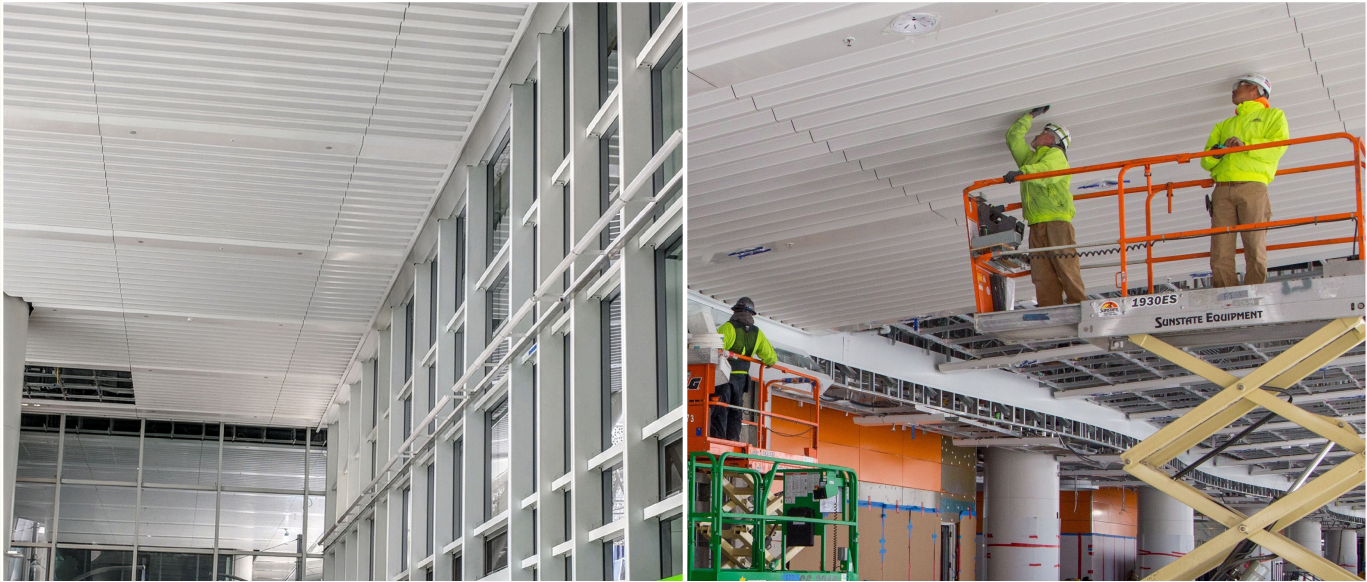
TRANSPORTATION



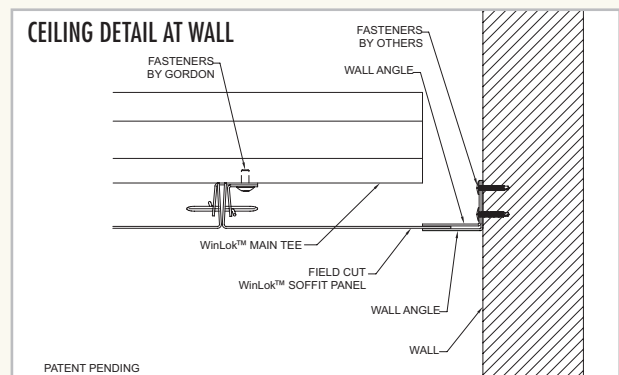
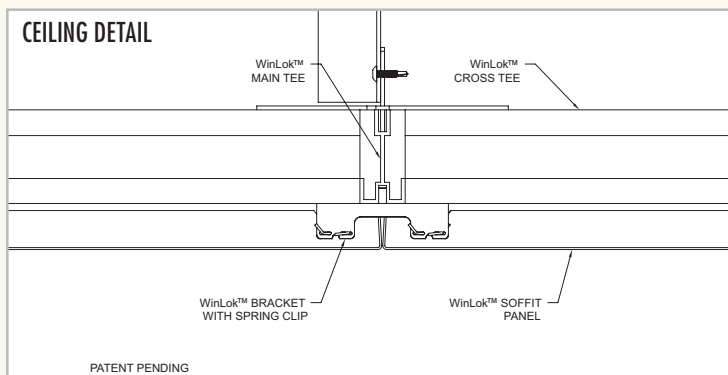
SALESFORCE TRANSIT CENTER, SAN FRANCISCO, CA



SALESFORCE TRANSIT CENTER, SAN FRANCISCO, CA



DETAILS



Gordon provided WinLok™ Ceiling Systems featuring:

- 325,000 ft² of Corrugated, Perforated Panels - 100% accessible
- Concealed Heavy-Duty Aluminum Suspension
- Custom Extruded Aluminum Trims
- Intergration of All Mechanical Equipment
- ACROGUARD®-UVX Durable Exterior Powder Coat Finish
- Easy / Low Cost & Non-Progressive Installation
- Eco-Friendly Materials, Fabrication Processes, and Application Make These Products Green by Design

Gordon provided complete Pre-Construction Services including:

- Design Assist
- Custom Product Design
- Specification Writing Assistance
- Design Load and Wind Load Requirements
- Drawings from Conceptual to Construction Documents
- Revit Models / Clash Detection
- Budget Quotations
- Professional Engineering Calculations with Stamp
- Project Meetings and Mock-ups at Gordon

PROJECT

Salesforce Transit Center
San Francisco, CA

GORDON REPRESENTATIVES

Commercial Architectural Products
Phoenix, AZ
The Finish Line
San Francisco, CA

ARCHITECTS

Pelli Clarke Pelli
Adamson Associates

CONTRACTOR

Southwest Specialty Contractors
Las Vegas, NV

GORDON[®]
INCORPORATED

5023 HAZEL JONES ROAD
BOSSIER CITY, LA 71111
800.747.8954

800.877.8746 FAX
SALES@GORDON-INC.COM
GORDON-INC.COM
AN EMPLOYEE OWNED COMPANY

