

DATA CENTERS



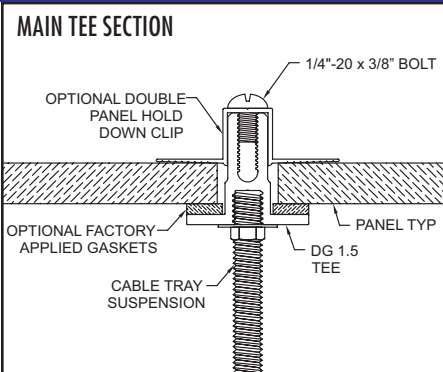
CYBER INNOVATION CENTER



CYBER INNOVATION CENTER



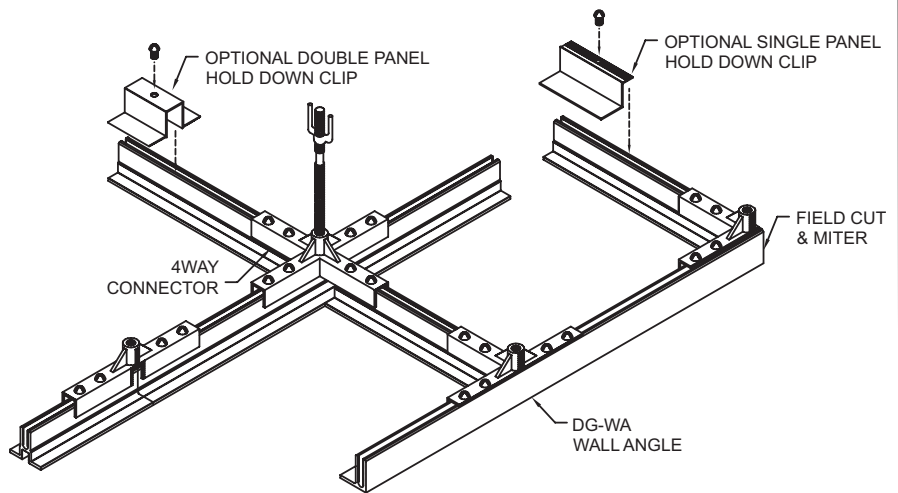
DETAILS



Gordon provided DG 1.5 ScrewSlot Ceiling System featuring:

- Heavy-Duty, Rod Suspension
- Extruded Aluminum ScrewSlot Grid allowing direct suspension of cable trays, conduits, and utility busways
- Optional factory applied gaskets
- Panel hold-down clips for tenant security and air seal
- Eco-Friendly Materials, Fabrication Processes, and Application Make These Products Green by Design

TYPICAL ASSEMBLY



PATENT PENDING

PROJECT

Cyber Innovation Center
Bossier City, LA

ARCHITECT

Mike McSwain Architect
Shreveport, LA

GORDON REPRESENTATIVE

Kohler Building Specialties
Madisonville, LA

CONTRACTOR

Lloyd Moreau, Inc.
Pineville, LA

GORDON
DATA CENTER PRODUCTS DIVISION

5023 HAZEL JONES ROAD
BOSSIER CITY, LA 71111
800.747.8954

800.877.8746 FAX
SALES@GORDONDATACENTERS.COM
GORDONDATACENTERS.COM
AN EMPLOYEE OWNED COMPANY

