

# GOVERNMENTAL



## IBERVILLE STATE OFFICE BUILDING

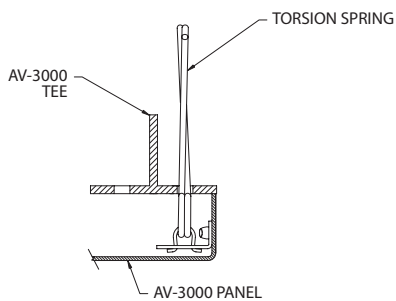


## IBERVILLE STATE OFFICE BUILDING

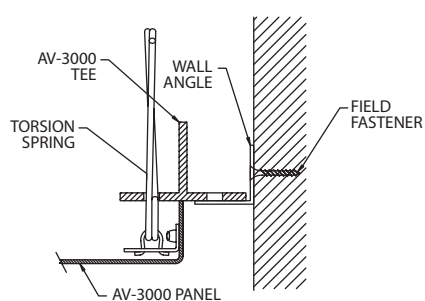


## DETAILS

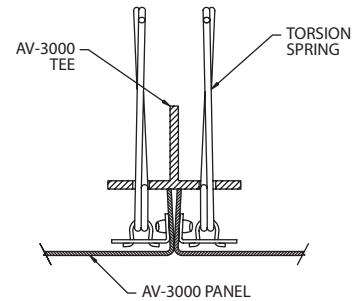
## FLOATING PERIMETER DETAIL



## PERIMETER DETAIL



## PANEL JOINT DETAIL



Gordon provided Aluma Vault 3000 Ceiling System featuring:

- Accessibility - Torsion Spring Panels
- Concealed Suspension System
- Custom Perforation - 26% Open Area, 0.059" Round Perforations on 0.111" Diagonal Centers, 1/2" Non-Perforated Border
- Noise Reduction - Non-woven Acoustical Fabric Factory Applied to the Back Side of Panels
- Durable Powder Coat Finish
- Green by Design

**2007 CISCA Construction  
Excellence Award Winner  
Best of Competition  
- Acoustical Solutions -  
South Region**

## PROJECT

Iberville State Office Building  
Baton Rouge, LA

## ARCHITECT

Holly & Smith  
Hammond, LA

## GORDON REPRESENTATIVE

Kohler Building Specialties  
Madisonville, LA

## CONTRACTOR

Southern Tile  
Lafayette, LA

**GORDON**

INTERIOR SPECIALTIES DIVISION

5023 HAZEL JONES ROAD

BOSSIER CITY, LA 71111

800.747.8954

800.877.8746 FAX

SALES@GORDONCEILINGS.COM

GORDONCEILINGS.COM

