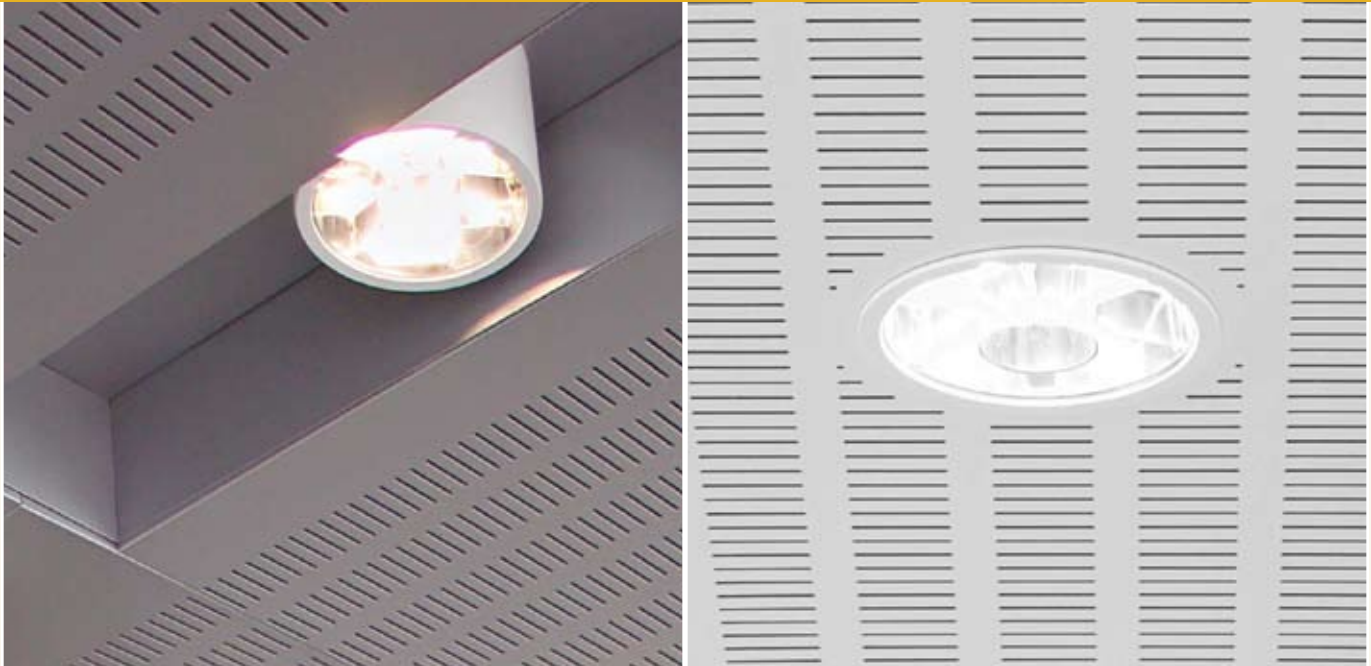


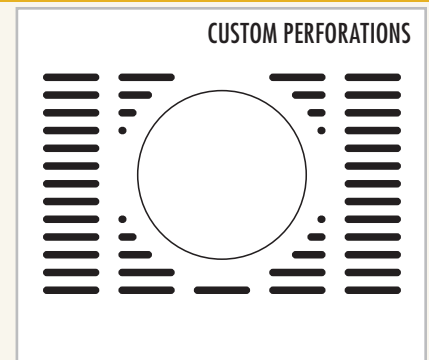
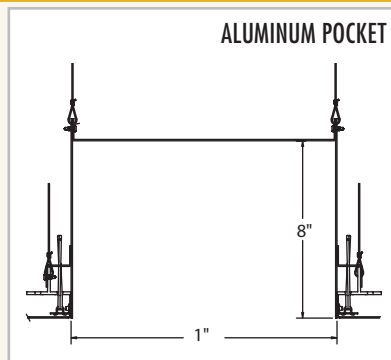
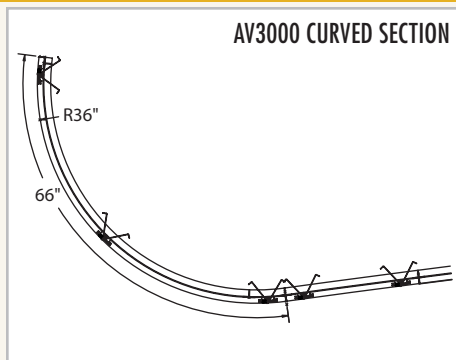
GREATER ROCHESTER INTERNATIONAL AIRPORT



## GREATER ROCHESTER INTERNATIONAL AIRPORT



## DETAILS



Gordon provided:

- Aluma Vault 3000 ceilings
- (3) 3'0" wide, custom perforated panels give the illusion of one 9'0" wide panel
- 8" wide aluminum pocket for sprinklers and light fixtures
- Finish: Custom Silver Stardust Powder Coat and Cleanroom White Powder Coat
- 36" radius end condition
- Factory applied non-woven acoustical fabric

**PROJECT**

Great Rochester International Airport  
Rochester, NY

**ARCHITECT**

William Nicholas Bodouva & Associates  
New York, New York

**GORDON REPRESENTATIVE**

Bradley & Bradley Sales Associates Inc.  
Buffalo, NY

**CONTRACTOR**

Rochester Davis-Fetch Corporation  
Rochester, NY

**GORDON**

INTERIOR SPECIALTIES DIVISION

5023 HAZEL JONES ROAD

BOSSIER CITY, LA 71111

800.747.8954

800.877.8746 FAX

SALES@GORDONCEILINGS.COM

GORDONCEILINGS.COM

