



AMERICAN EUROCOPTER

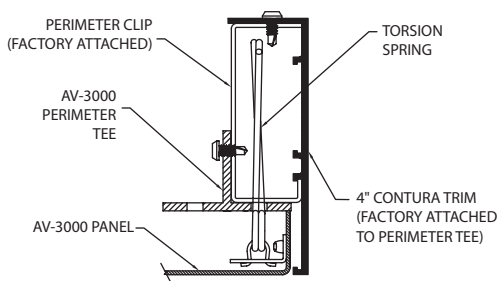


## AMERICAN EUROCOPTER

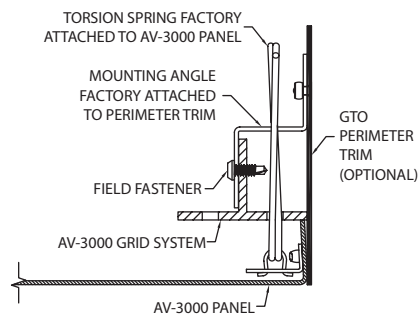


## DETAILS

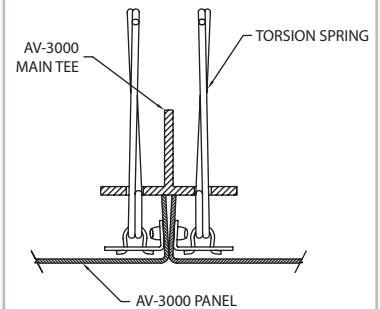
## PERIMETER DETAIL



## GTO PERIMETER DETAIL



## PANEL JOINT DETAIL



Gordon provided Aluma Vault 3000 Ceiling System featuring:

- Accessibility - Torsion Spring Panels
- Custom Perforation - 30% Open Area, 1/4" Round Perforations on 7/16" Staggered Centers
- Noise Reduction - Non-woven Acoustical Fabric Applied to the Back Side of Panels
- Clean, Crisp Edges - 4" Extruded Aluminum, Custom Perimeter Trim
- Durable Powder Coat Finish - Custom Gun Metal Blue Metallic
- Green by Design

2007 CISCA Construction  
Excellence Award Winner  
Best of Competition - Ceilings  
South Region

## PROJECT

American Eurocopter  
Columbus, MS

## ARCHITECT

JBHM Architects  
Biloxi, MS

## GORDON REPRESENTATIVE

Kohler Building Specialties  
Madisonville, LA

## CONTRACTOR

F. L. Crane & Sons, Inc.  
Fulton, MS

**GORDON**

INTERIOR SPECIALTIES DIVISION

5023 HAZEL JONES ROAD

BOSSIER CITY, LA 71111

800.747.8954

800.877.8746 FAX

SALES@GORDONCEILINGS.COM

GORDONCEILINGS.COM

