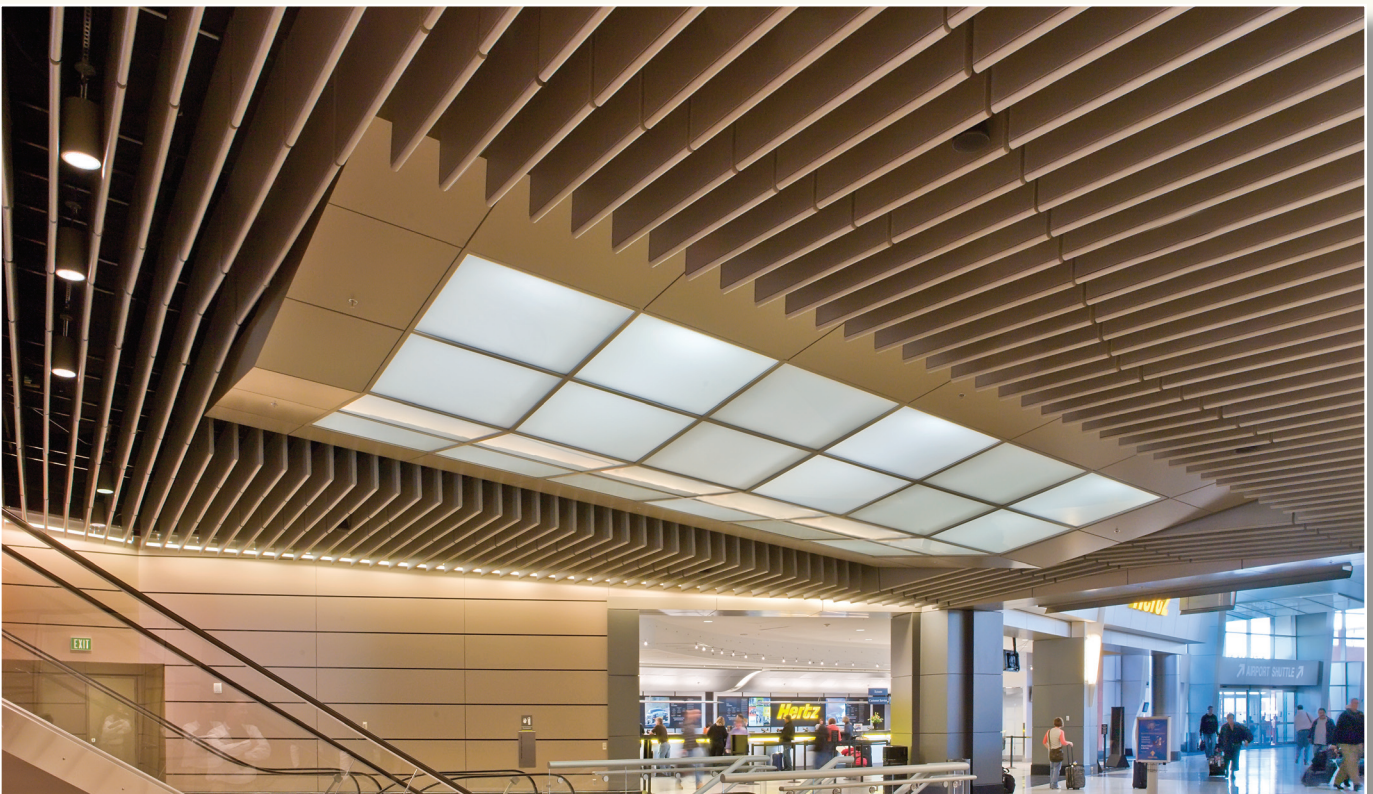


AVIATION

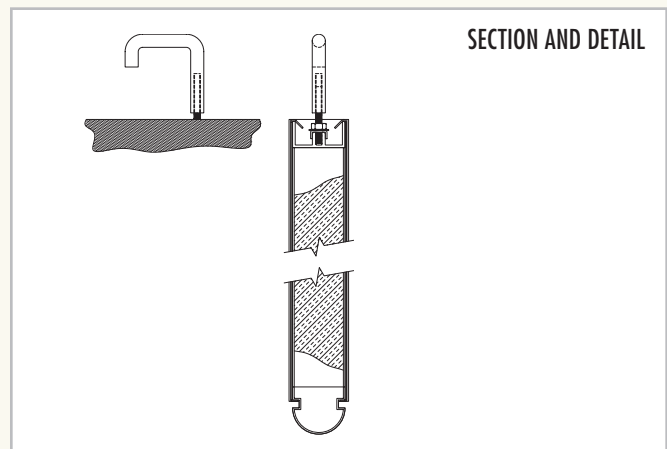
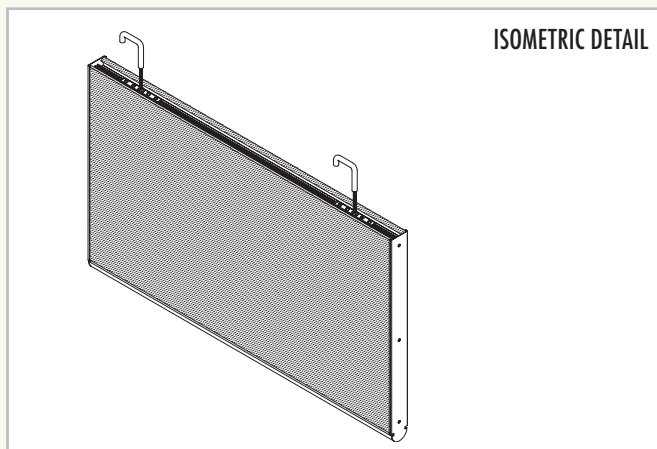
MCCARRAN INTERNATIONAL AIRPORT RENT-A-CAR CENTER



MCCARRAN INTERNATIONAL AIRPORT RENT-A-CAR CENTER



DETAILS



ALPRO® provided:

- Custom Designed, Suspended Acoustical Baffles
- Bullnose Bottom Trim
- Project required 1,122 Baffles with 100 different lengths
- .050" Smooth Aluminum, Custom Perforation
- Asti II Powder Coat Finish
- PVC Encapsulated Acoustical Pads
- NRC - 1.00

**2007 CISCA Construction
Excellence Award Winner
Citation of Merit -Ceilings Category
West Region**

PROJECT

McCarran International Airport
Rent-A-Car Center
Las Vegas, NV

ARCHITECT

Swisher & Hall, AIA, Ltd.
Las Vegas, NV

ALPRO REPRESENTATIVE

Commercial Architectural Products
Phoenix, AZ

CONTRACTOR

M & H Building Specialties, Inc.
Las Vegas, NV

ALPRO®

ACOUSTICAL SYSTEMS
5023 HAZEL JONES ROAD
BOSSIER CITY, LA 71111

888.733.3836

800.877.8746 FAX

SALES@ALPROACOUSTICS.COM
ALPROACOUSTICS.COM

