

# SCHOOLS



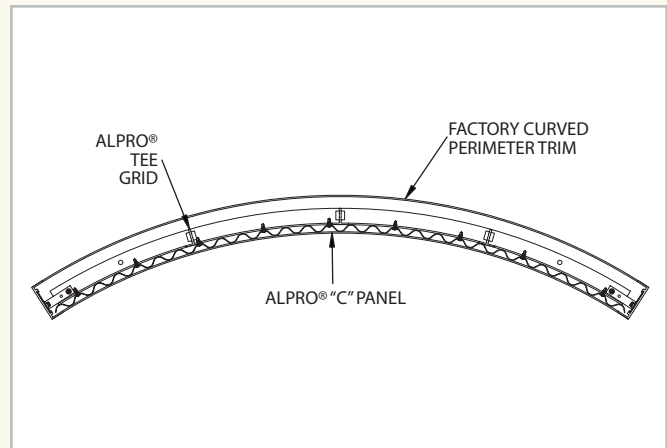
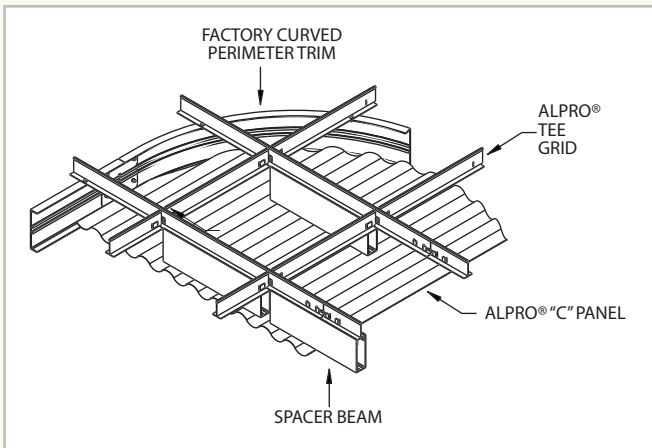
CAL STATE UNIVERSITY



## CAL STATE UNIVERSITY



## DETAILS



ALPRO® provided:

- AVIAR® Corrugated Ceiling Systems Solutions
- Custom Engineered for Perfect Installation and Seamless Appearance
- .032" Stucco Embossed Aluminum, Pattern C
- Extruded Aluminum Suspension System
- Factory Curved Extruded Aluminum Perimeter Trims
- Custom Powder Coat Finishes

2003 CISCA Construction  
Excellence Award Winner

## PROJECT

Cal State University  
Los Angeles, CA

## ARCHITECT

Tate Snyder Kimsey  
Henderson, NV

## ALPRO REPRESENTATIVE

Acoustic Standards  
Chino, CA

## CONTRACTOR

Preferred Ceilings  
Brea, CA

**ALPRO®**

ACOUSTICAL SYSTEMS  
5023 HAZEL JONES ROAD  
BOSSIER CITY, LA 71111

888.733.3836

800.877.8746 FAX

SALES@ALPROACOUSTICS.COM

ALPROACOUSTICS.COM

