

THEATERS

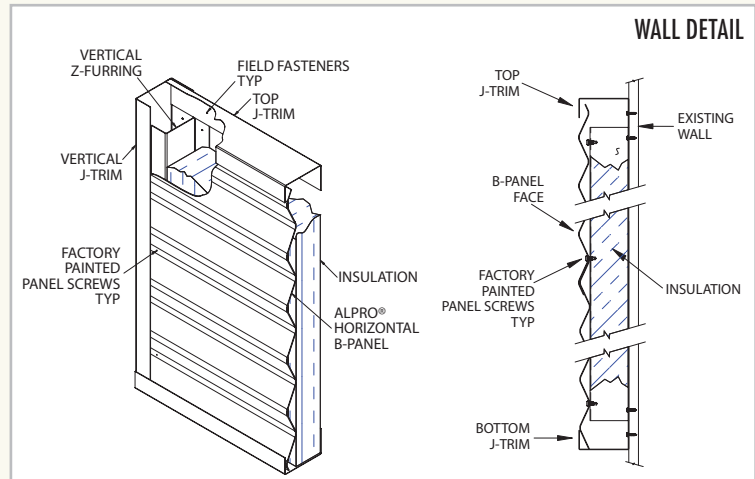
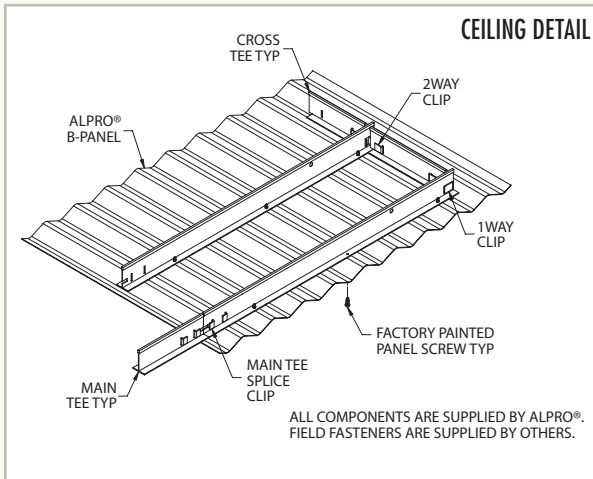
BOEING FUTURE OF FLIGHT AVIATION THEATER



BOEING FUTURE OF FLIGHT AVIATION THEATER



DETAILS



ALPRO® provided Ceiling and Wall Systems featuring:

- Pattern “B” Perforated Wall and Ceiling Panels with Encapsulated Acoustical Media for Noise Reduction
- .032” Stucco-Embossed Aluminum, 1/8” Round Perforations on 21/64” Staggered Centers, 13.2% Open Area
- “J” Trims, Z Furring, and Factory Painted Screws
- Clear Matte Powder Coat Finish
- PVC Encapsulated Acoustical Pads
- Eco-Friendly Materials, Fabrication Processes, and Application Make These Products Green by Design

**CISCA Construction
Excellence Award Winner
Best in Competition
- Acoustical Solutions -
West Region**

**Northwest Wall and Ceiling Bureau
Award Winner - Ceilings**

PROJECT

Boeing Future of Flight Aviation Theater
Mukilteo, WA

ALPRO REPRESENTATIVES

Spec Systems
Kenmore, WA

ARCHITECT

Callison Architecture
Tulsa, OK

CONTRACTOR

Audio Acoustics
Lynnwood, WA

ALPRO®

ACOUSTICAL SYSTEMS

5023 HAZEL JONES ROAD

BOSSIER CITY, LA 71111

888.733.3836

800.877.8746 FAX

SALES@ALPROACOUSTICS.COM

ALPROACOUSTICS.COM

